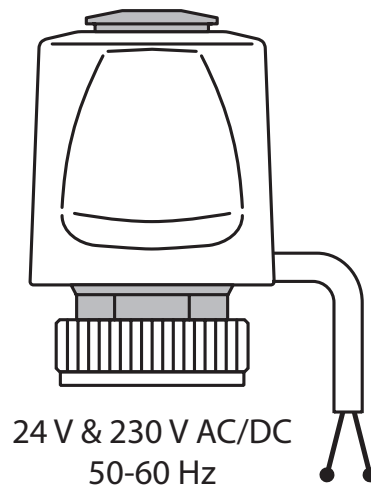
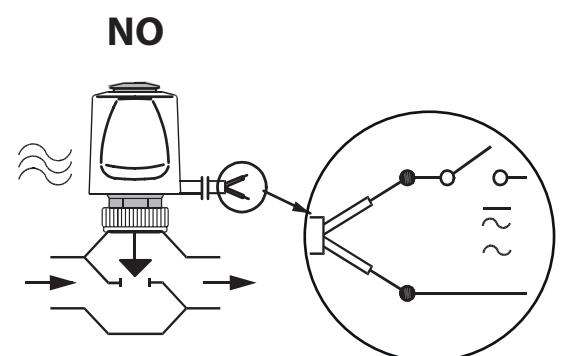
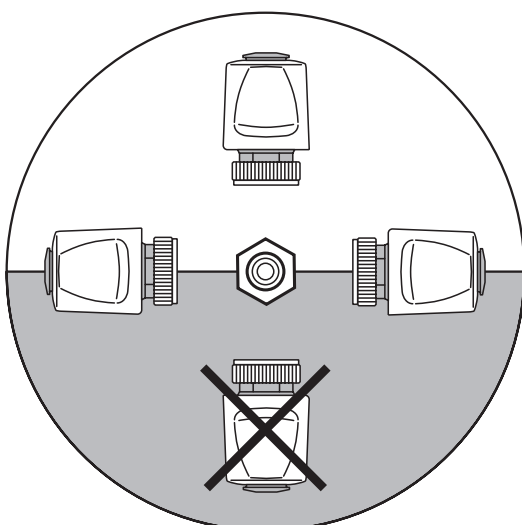
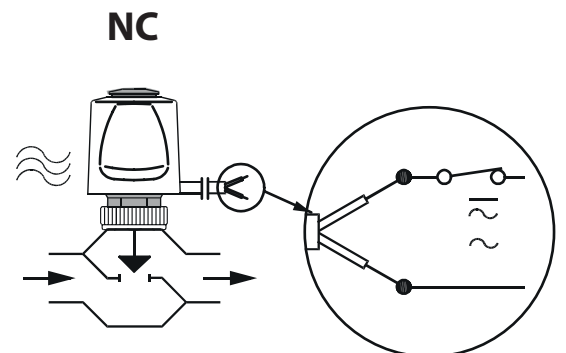
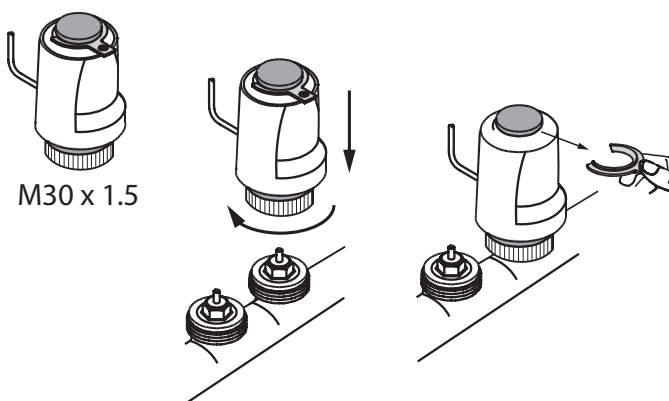


## Installation Guide

### Thermot actuator



#### 1 Installation



**Technical Data**

Supply voltage	24 V AC/DC (Class II (SELV)) and 230 V AC (3A pre-fuse)
Frequency	50-60 Hz
Running power consumption	2 W
Spindle travel time	~3 min.
Ambient temperature	0-60° C
Enclosure	IP 41
Cable length	600 mm
Certificate	CE

---

Danfoss A/S  
Floor Heating Hydronics  
Ulvehavevej 61  
7100 Vejle  
Denmark  
Phone: +45 7488 8500  
Fax: +45 7488 8501  
Email: [heating@danfoss.com](mailto:heating@danfoss.com)  
[www.floorheating.danfoss.com](http://www.floorheating.danfoss.com)

---

Danfoss can accept no responsibility for possible errors in catalogues, brochures and other printed material. Danfoss reserves the right to alter its products without notice. This also applies to products already on order provided that such alterations can be made without subsequential changes being necessary in specifications already agreed.  
All trademarks in this material are property of the respective companies. Danfoss and the Danfoss logotype are trademarks of Danfoss A/S. All rights reserved.