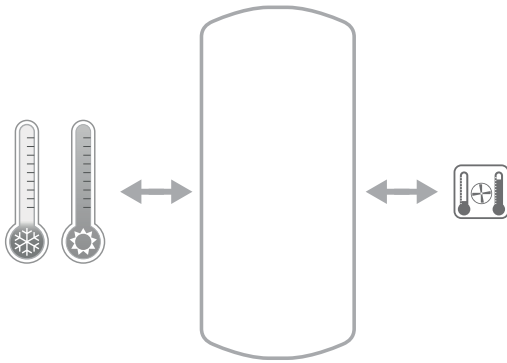


VOLANO TERMICO PDC

BUFFER TANK FOR HEAT PUMP



See TECHNICAL SUPPORT chapter for example of installation

PRESSURE	TEMPERATURE
Pmax	Tmax
4 bar	-10 / +95 °C

TECHNICAL DESCRIPTION

Buffer either for hot or cold water provided by heat pump, in order to limit the generator on/off switchings.

MATERIAL

Mild steel.

EXTERNAL LINING

Grey PVC.

INSULATION

High thermal insulation with ecological polyurethane hard foam.

WARRANTY

2 years-See general sales conditions and warranty.

VOLANO TERMICO PDC

ENERGY EFFICIENCY CLASS



MILD STEEL BUFFER TANK (suitable for heat pump)



Model	Art. Nr.	ENERGY EFFICIENCY CLASS
100	3001162311001	C
200	3001162311002	C
300	3001162311003	C
500	3001162311004	C

VOLANO TERMICO PDC

ENERGY EFFICIENCY CLASS

MILD STEEL BUFFER TANK (suitable for heat pump)

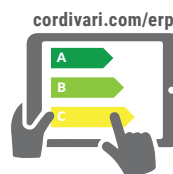


Model	Art. Nr.	ENERGY EFFICIENCY CLASS
500	3001162311014	B

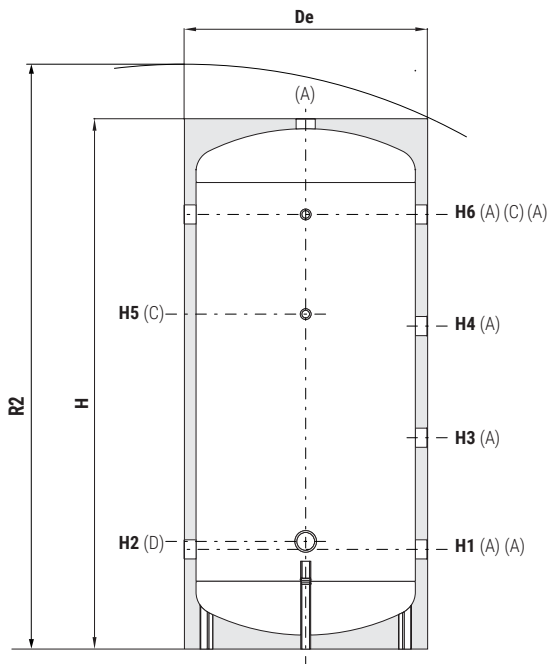


CORDIVARI Lab

TÜV Rheinland Energie und Umwelt GmbH states that test procedures and Cordivari LAB are certified conforming to European standard EN 15332, as indicated by Ecodesign ErP Directive.



On line ErP label tool



A To the System

C Connection for instrumentation 1/2" F

D Connection for electric immersion heater 1" 1/2 F

Model	Weight [Kg]	Volume [lt]	De	H	R2	H1 [mm]	H2	H3	H4	H5	H6	A
100	23	95	461	990	1100	206	246	374	543	511	711	1"
200	41	180	517	1289	1395	206	246	489	793	836	1086	1"
300	51	280	624	1346	1490	256	276	536	816	846	1096	1" 1/4
500	76	478	750	1641	1810	271	291	634	998	1091	1361	1" 1/4

Model	Weight [Kg]	Volume [lt]	De	H	R2	H1 [mm]	H2	H3	H4	H5	H6	A
500 (B)	76	478	750	1641	1810	271	291	634	998	1091	1361	1" 1/4