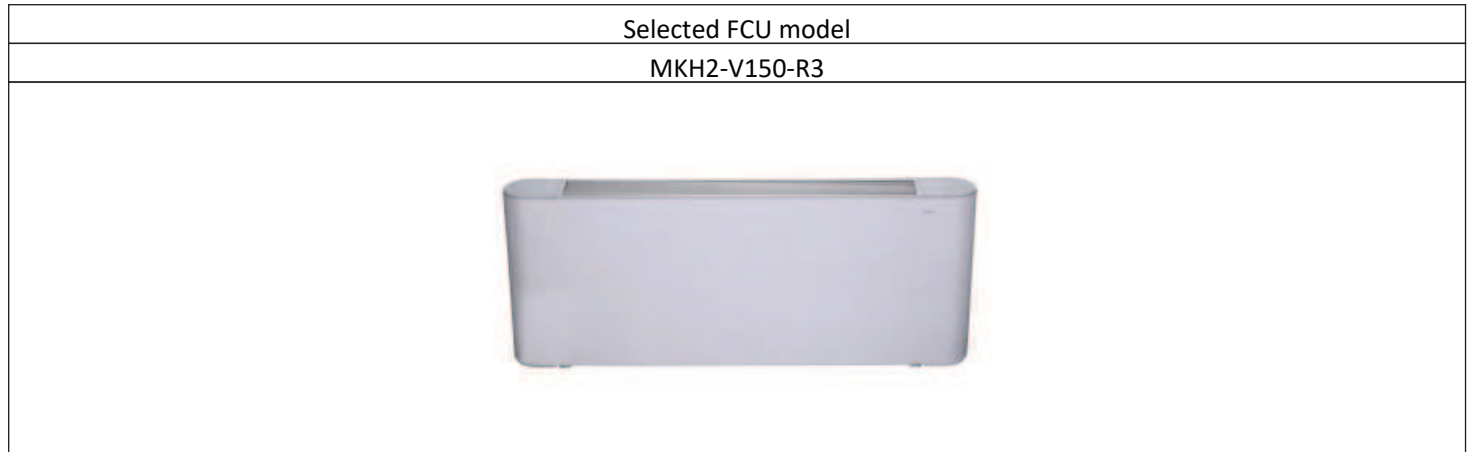
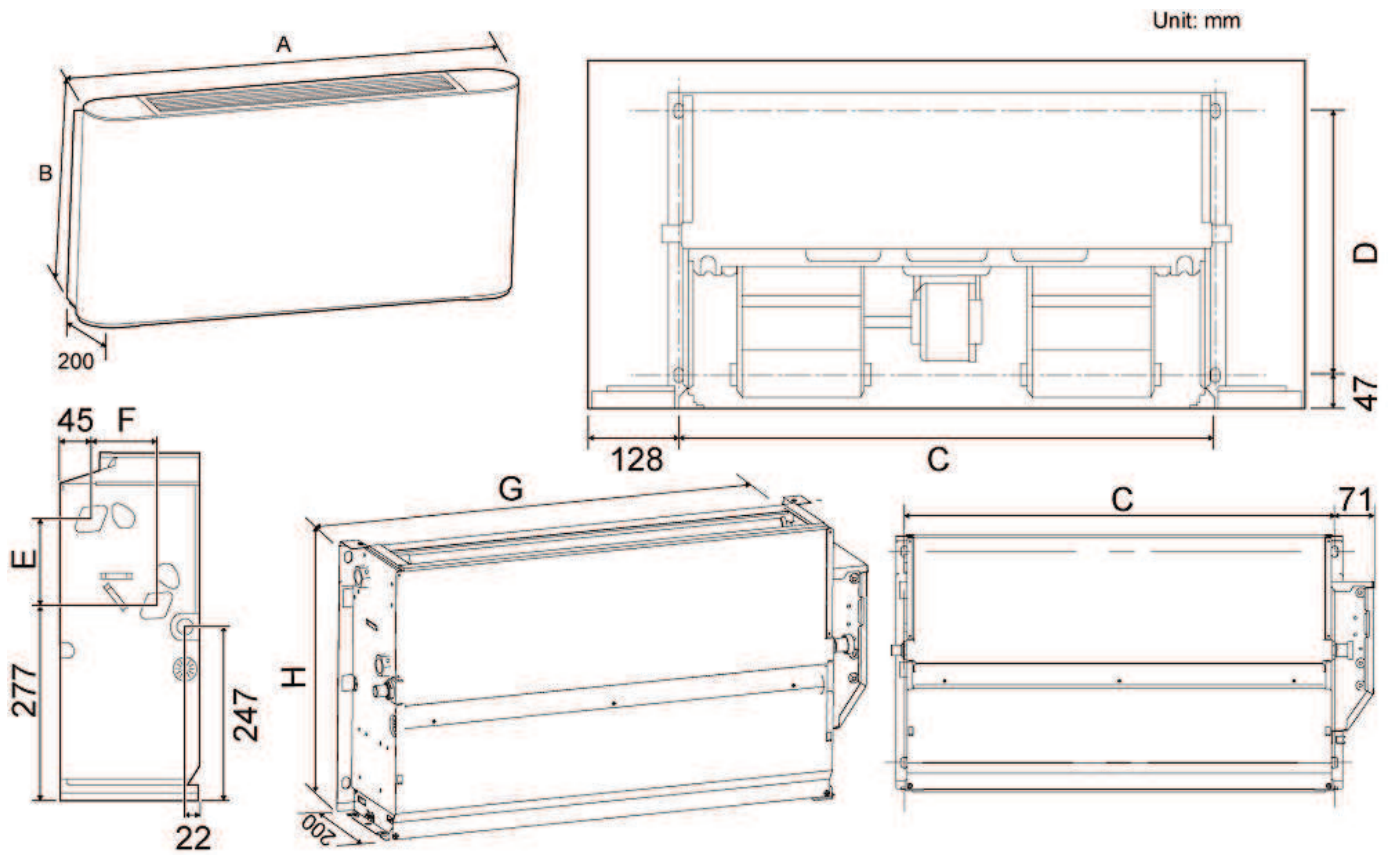


Appearance



Dimensions

(Unit: mm):MKH2-V150-R3



MODEL	MKH2-V150-R3(R4)	MKH2-V250-R3(R4)	MKH2-V350-R3(R4)	MKH2-V500-R3(R4)	MKH2-V700-R3(R4)	MKH2-V800-R3(R4)
A	790	1020	1240	1240	1360	1360
B	495	495	495	495	495	591
C	534	764	984	984	1104	1104
D	375	375	375	375	375	391
E	123	123	123	123	123	219
F	93	93	93	93	93	102
G	628	858	1078	1078	1198	1198
H	455	455	455	455	455	551